

Technical Information

No. DO 5121

Edition: 07/08 - subject to change

Supersedes: 04/00

Status: valid

Tungsten Halogen Lamp
for Airfield Lighting

64322

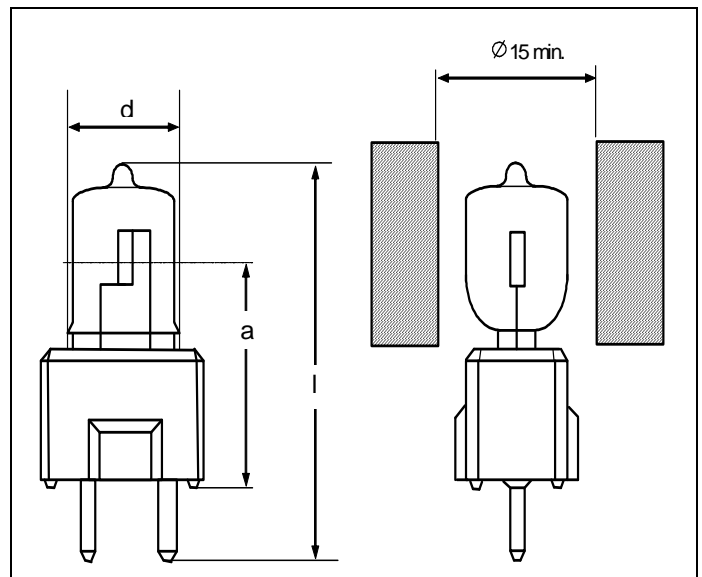
■ Product description

The OSRAM 64322 is a halogen Bi-Pin with GZ9.5 base for the following applications:

Approach, threshold, runway end, touchdown zone, runway edge and taxiway edge lights

■ Technical Data

Order reference		64322
ANSI		EXL
Maximum operation current	A	6.6
Base		GZ9.5
Rated lamp wattage	W	30
Maximum initial wattage	W	33
Average life	h	1,500
Color temperature	K	2,950
Rated luminous flux	lm	430
Minimum initial luminous flux	lm	340
Luminous flux after 750 h	lm	min. 75% of initial value
Bulb diameter (d)	mm	max. 11.5
Length (l)	mm	max. 44.5
LCL (a)	mm	25.4
Filament type		C-8
Filament dimensions (w x h)	mm	1.2 x 3.5
Deviation of filament centre	mm	max. 1.2 (refers to base axis)



■ Lamp operation

Burning position		s 90
Maximum pinch temperature	°C	350
Chromaticity		within white boundaries as defined in Annex 14 to the Convention of International Civil Aviation